

Rossore/ with casing

EURO BIFOLD DOOR



DAYORIS
DOORS

Types of Applications



Finishes

Primed / Laminated Import

Laminated Suncrest / Matte Lacquer

Wood veneer

Cabinet Knob



L Profile



Cabinet Style Hinge



What's included

Technical Specifications:

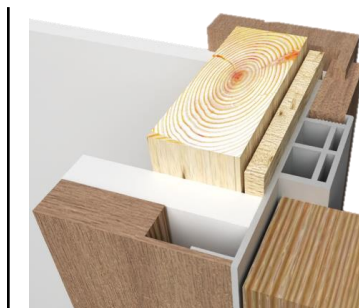
1" Solid Core MDF Door

Finish – Designer's choice

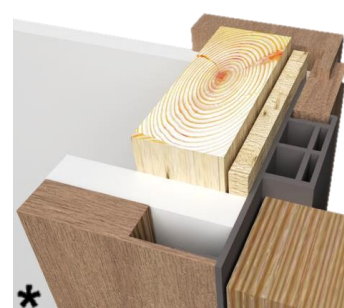
Frame – Concealed aluminum

Design – Designers Choice

Frame Profile Finishes



Clear Aluminum Frame

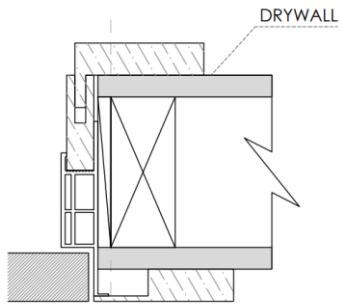


* Black Aluminum Frame

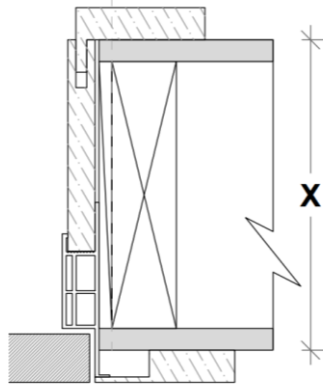
* Optional Upgrades

Benefits of Rossore/ euro bifold door

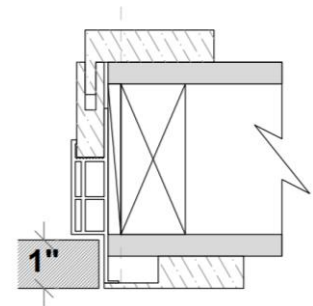
Drywall Return



Any Wall Thickness



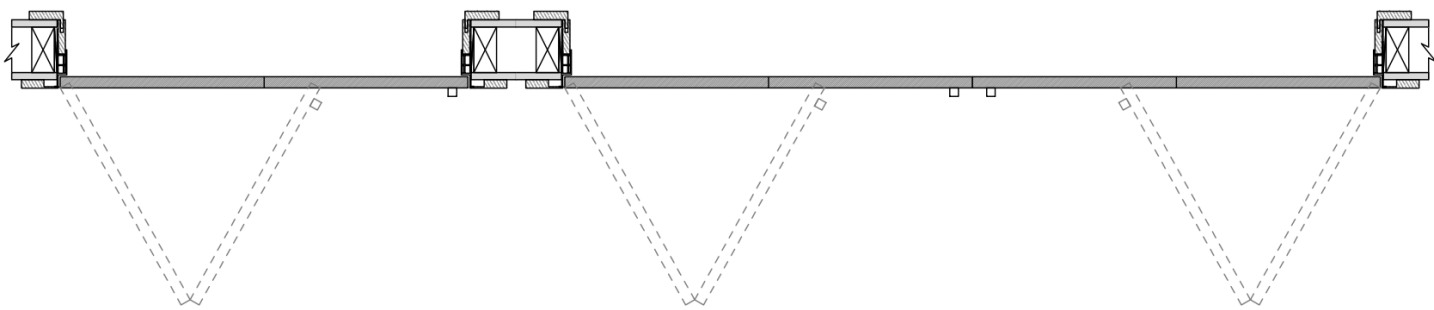
Lighter Door and Space saver



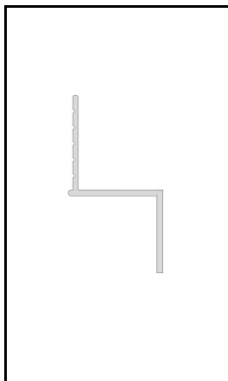
A thinner, economical application for non-walk-in closets

Single

Double



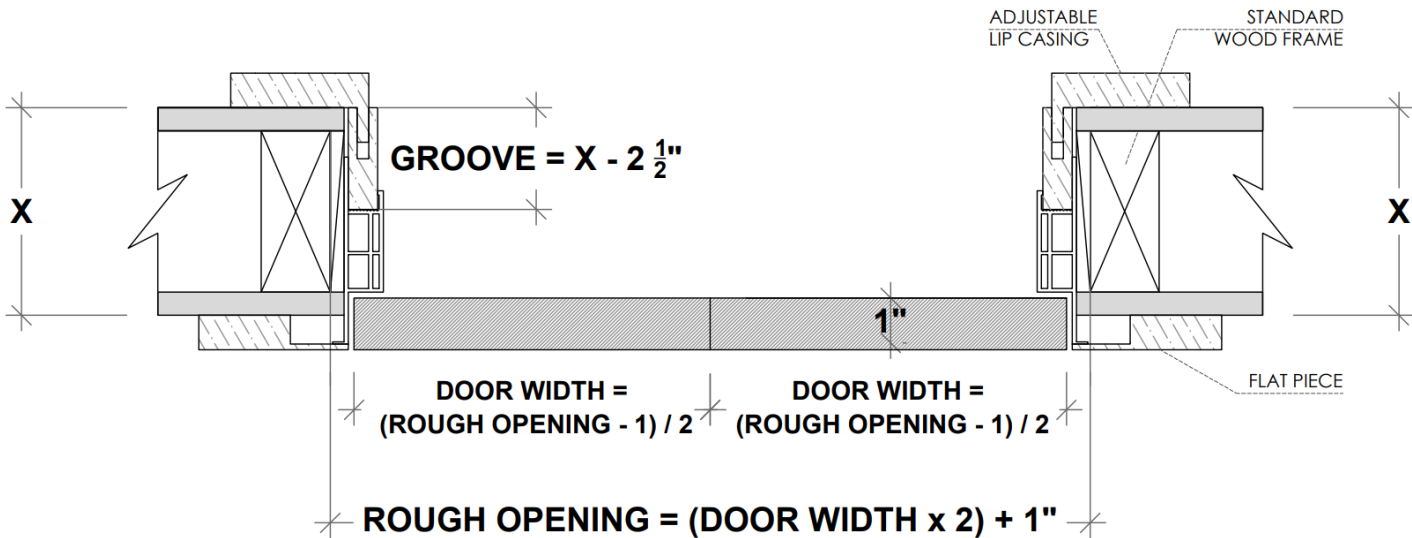
Works with 1/2" depth reglet (any height). Can be used with 5/8" drywall.



DEPTH	WIDTH	NON-VENTED
1/2"	1/8"	DRMZ-25-125
1/2"	1/4"	DRMZ-50-25
1/2"	3/8"	DRMZ-50-375
1/2"	1/2"	DRMZ-50-50
1/2"	5/8"	DRMZ-50-625
1/2"	3/4"	DRMZ-50-75
1/2"	1"	DRMZ-50-100
1/2"	1 1/2"	DRMZ-50-150
1/2"	2"	DRMZ-50-200

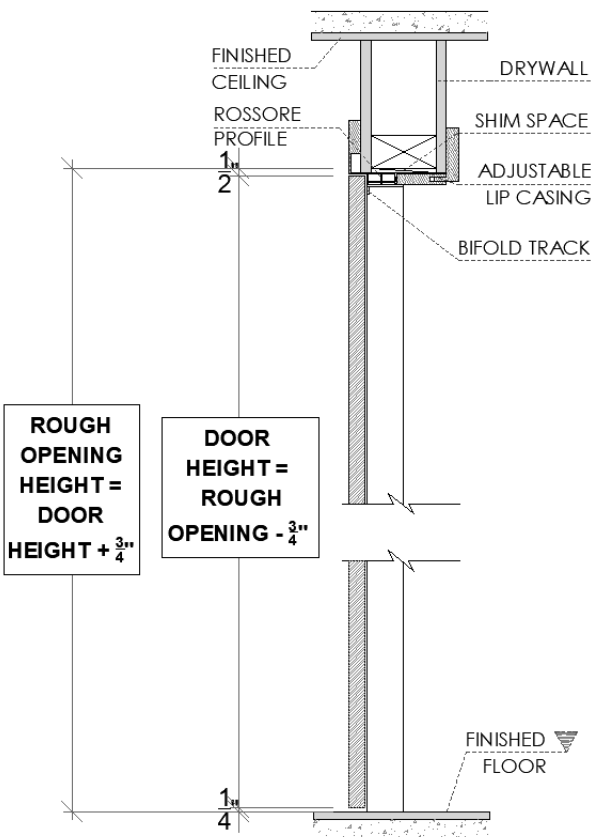
* Fry reglet for reference purposes only, not provided by Dayoris.

Framing Instructions Rossore/ euro bifold door

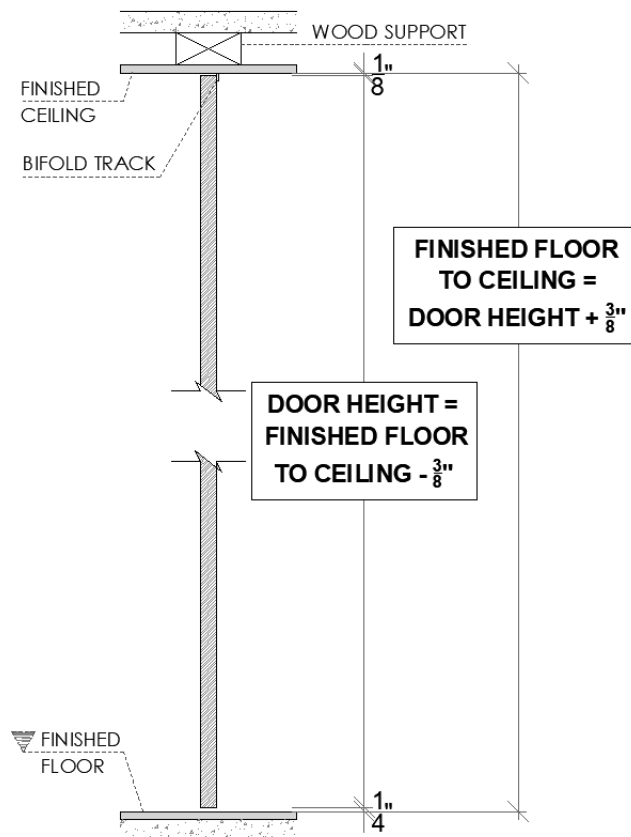


X = THE WALL CAN BE ANY THICKNESS
ALL OPENINGS MUST HAVE WOOD SUPPORT (2" x 4", 2" x 6", 2" x 8", ...)

Standard Application



Floor to Ceiling Application

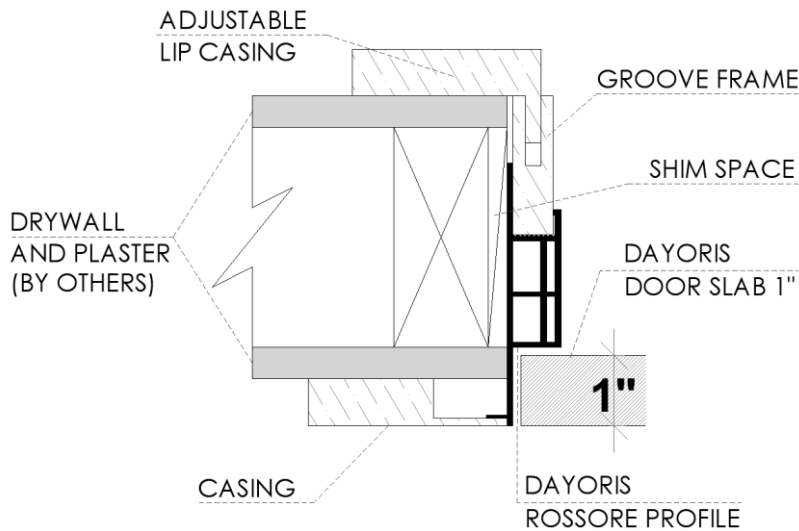
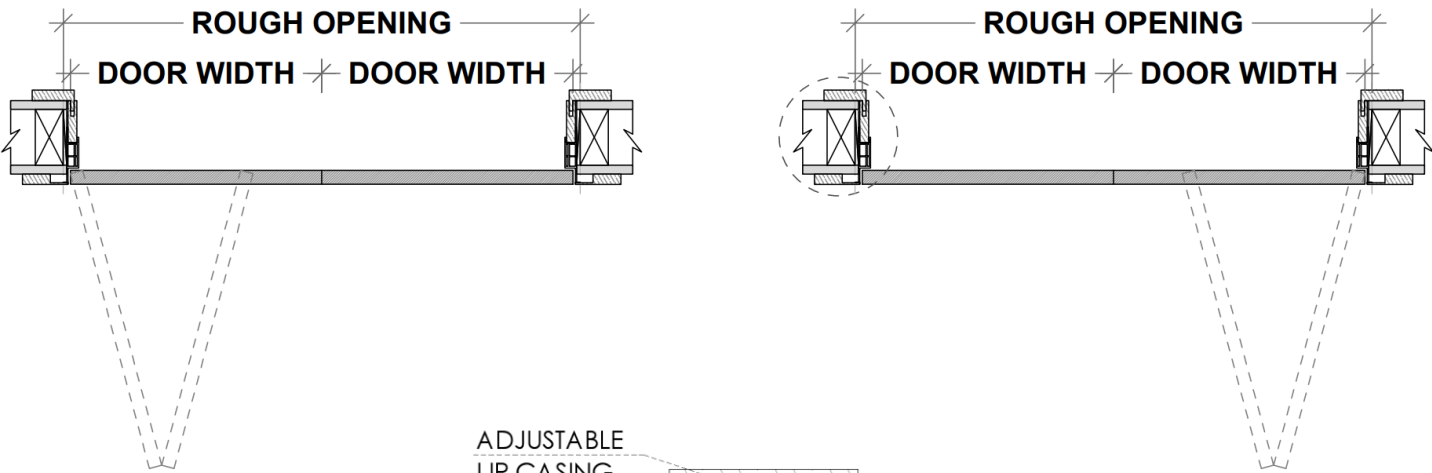


PLEASE ACCOUNT FOR FINISHED FLOOR FOR ALL MEASUREMENTS GIVEN TO DAYORIS.

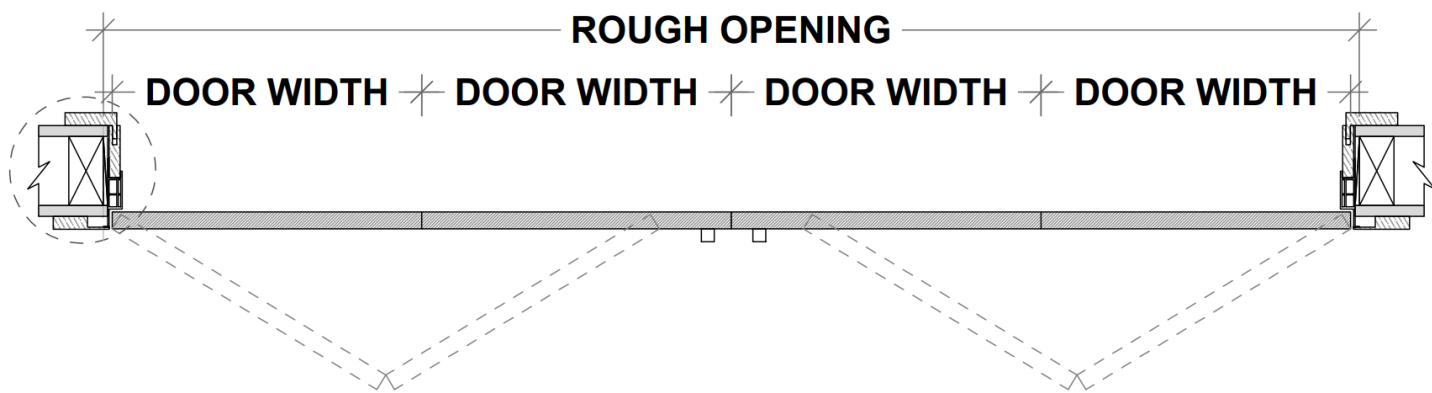
Outswing Application (bifold door only available outswing)

Right Hand Outswing

Left Hand Outswing



Double Door Applications



$$\text{DOOR WIDTH} = (\text{ROUGH OPENING} - 1") / 4$$

$$\text{ROUGH OPENING} = (\text{DOOR WIDTH} \times 4) + 1"$$

Flush with Drywall with Floating Reveal Application

