

Rossore/ flush with casing

EURO DOOR



DAYORIS
DOORS

Types of Applications



Finishes

Primed / Laminated Import

Laminated Suncrest / Matte Lacquer

Wood veneer

Cabinet Knob



L Profile



Cabinet Style Hinge



What's included

Technical Specifications:

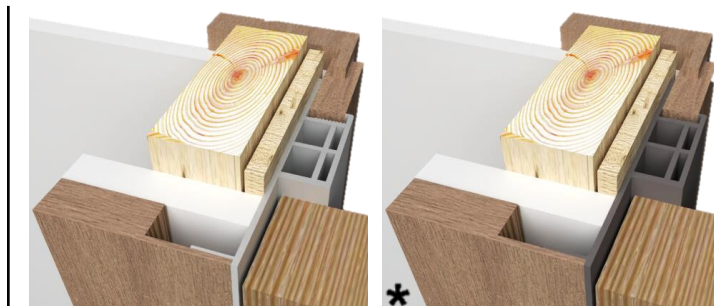
1" Solid Core MDF Door

Finish – Designer's choice

Frame – Concealed aluminum

Design – Designers Choice

Frame Profile Finishes



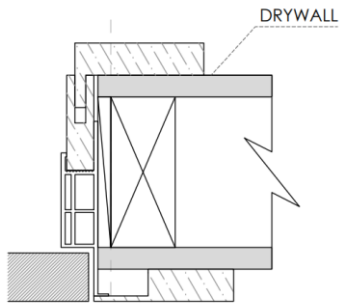
Clear Aluminum Frame

* Black Aluminum Frame

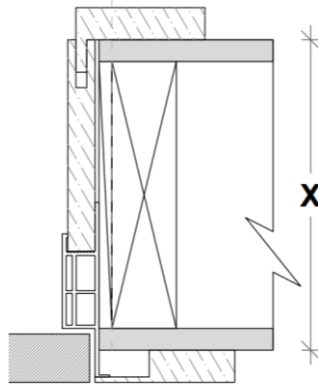
* Optional Upgrades

Benefits of Rossore/ euro door

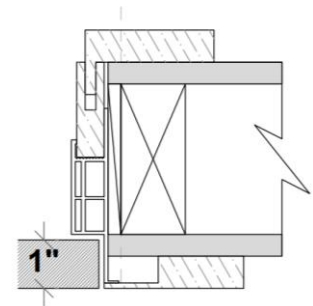
Drywall Return



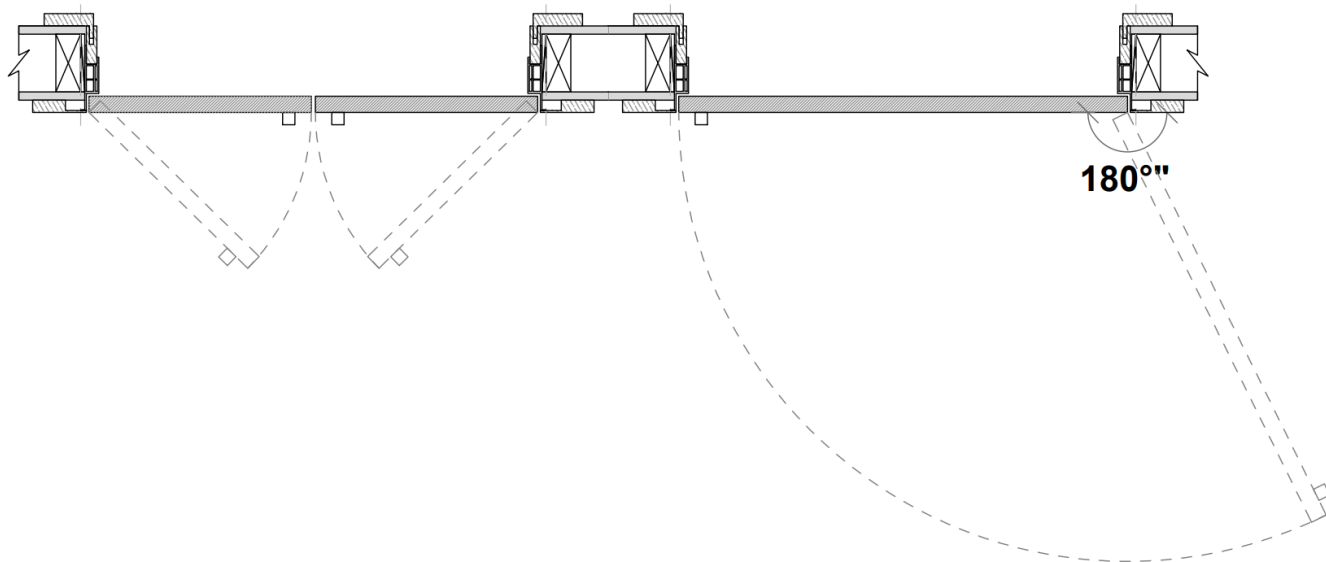
Any Wall Thickness



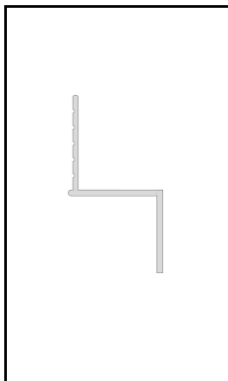
Lighter Door and Space saver



A thinner, economical application for non-walk-in closets



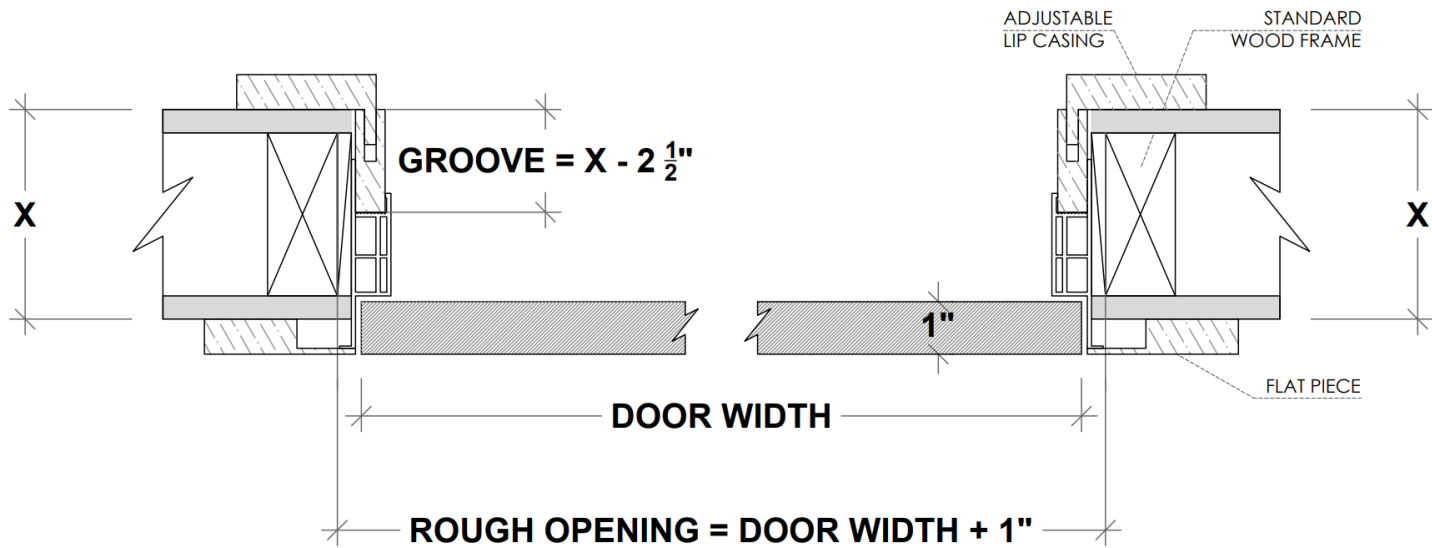
Works with 1/2" depth reglet (any height). Can be used with 5/8" drywall.



DEPTH	WIDTH	NON-VENTED
1/2"	1/8"	DRMZ-25-125
1/2"	1/4"	DRMZ-50-25
1/2"	3/8"	DRMZ-50-375
1/2"	1/2"	DRMZ-50-50
1/2"	5/8"	DRMZ-50-625
1/2"	3/4"	DRMZ-50-75
1/2"	1"	DRMZ-50-100
1/2"	1 1/2"	DRMZ-50-150
1/2"	2"	DRMZ-50-200

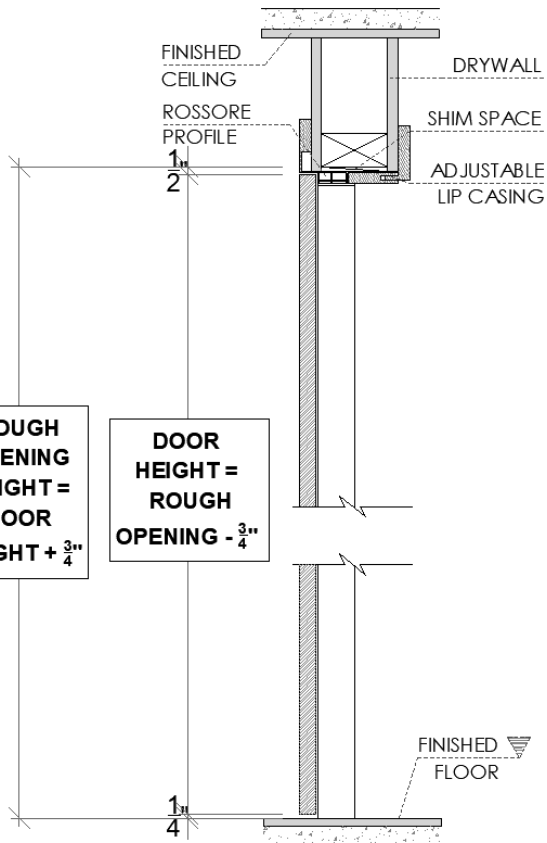
* Fry reglet for reference purposes only, not provided by Dayoris.

Framing Instructions Rossore/ euro door



X = THE WALL CAN BE ANY THICKNESS
ALL OPENINGS MUST HAVE WOOD SUPPORT (2" x 4" , 2" x 6" , 2" x 8" , ...)

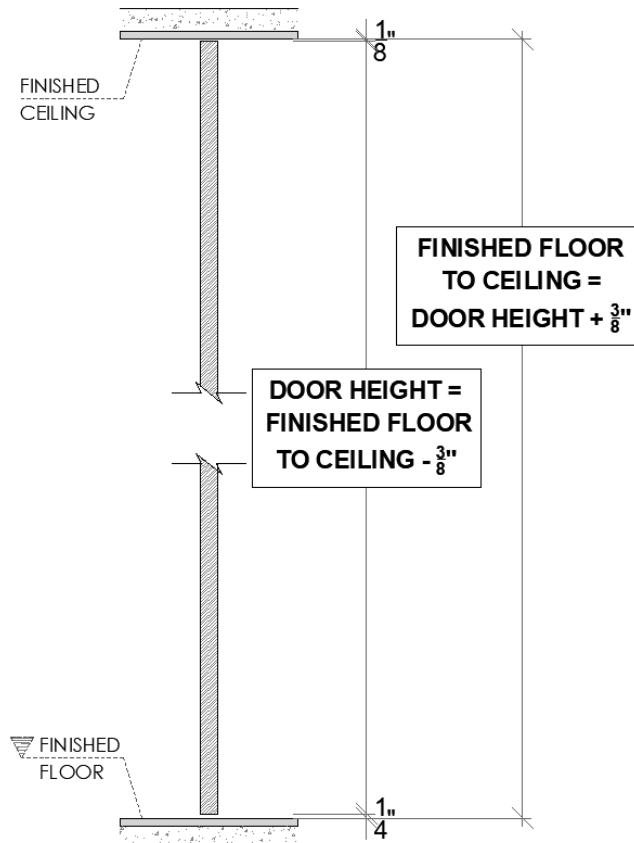
Standard Application



ROUGH OPENING HEIGHT = DOOR HEIGHT + $\frac{3}{4}$ "

DOOR HEIGHT = ROUGH OPENING - $\frac{3}{4}$ "

Floor to Ceiling Application



FINISHED FLOOR TO CEILING = DOOR HEIGHT + $\frac{3}{8}$ "

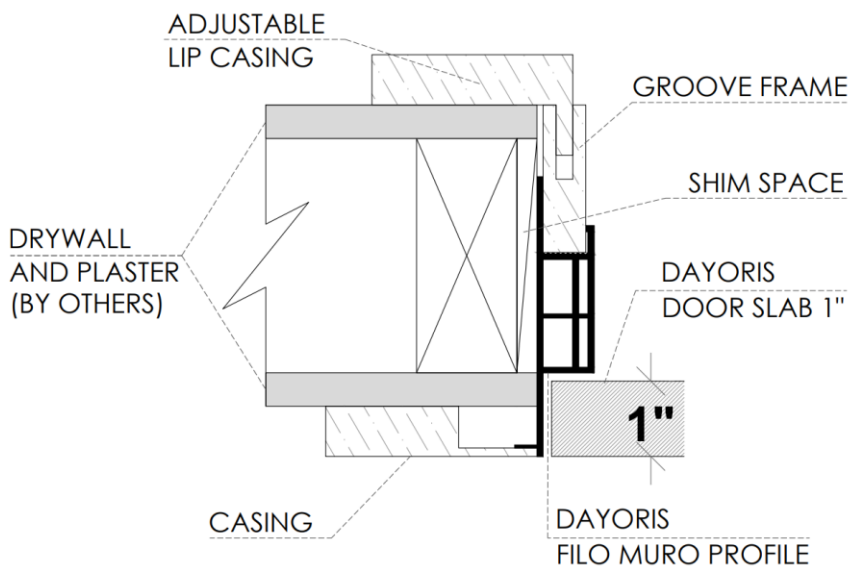
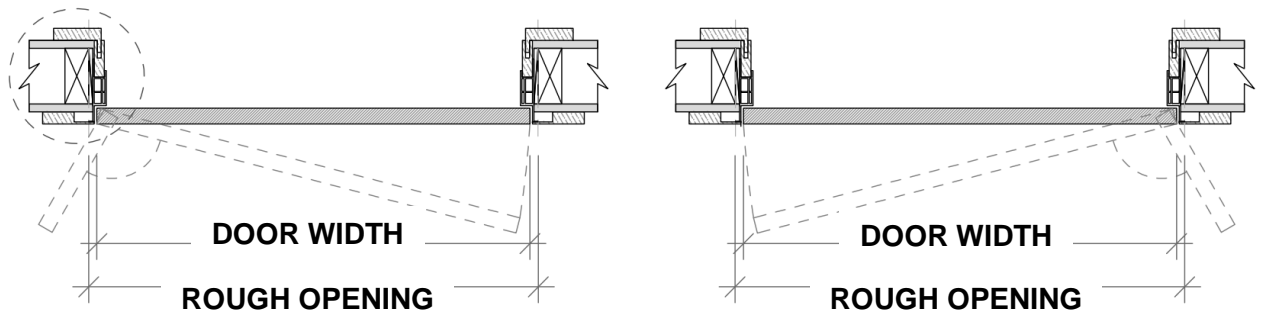
DOOR HEIGHT = FINISHED FLOOR TO CEILING - $\frac{3}{8}$ "

PLEASE ACCOUNT FOR FINISHED FLOOR FOR ALL MEASUREMENTS GIVEN TO DAYORIS.

Outswing Application (euro door only available outswing)

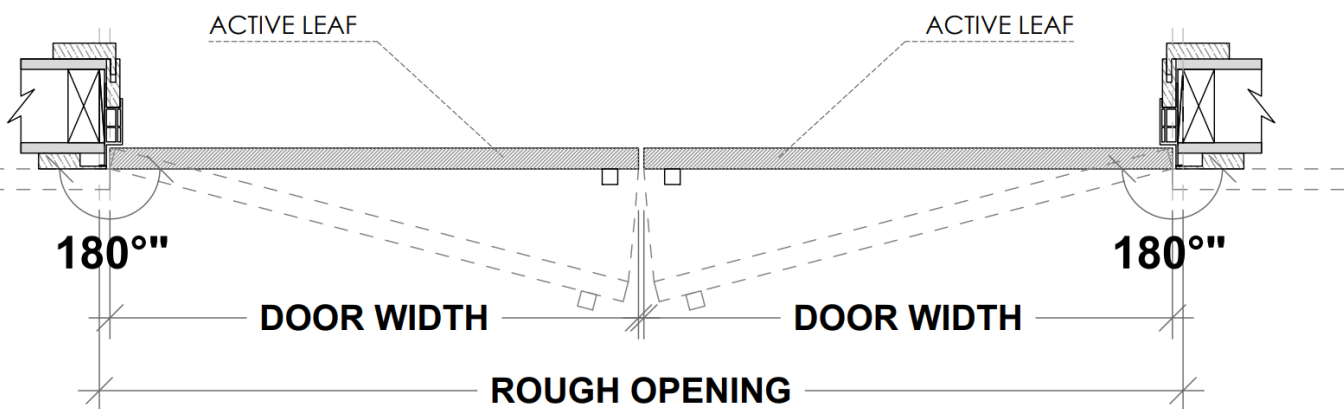
Right Hand Outswing

Left Hand Outswing



Double Door Applications

Double Dummy Application (both active)



$$\text{ROUGH OPENING} = (\text{DOOR WIDTH} \times 2) + 1''$$

Flush with Drywall with Floating Reveal Application

